



1/7

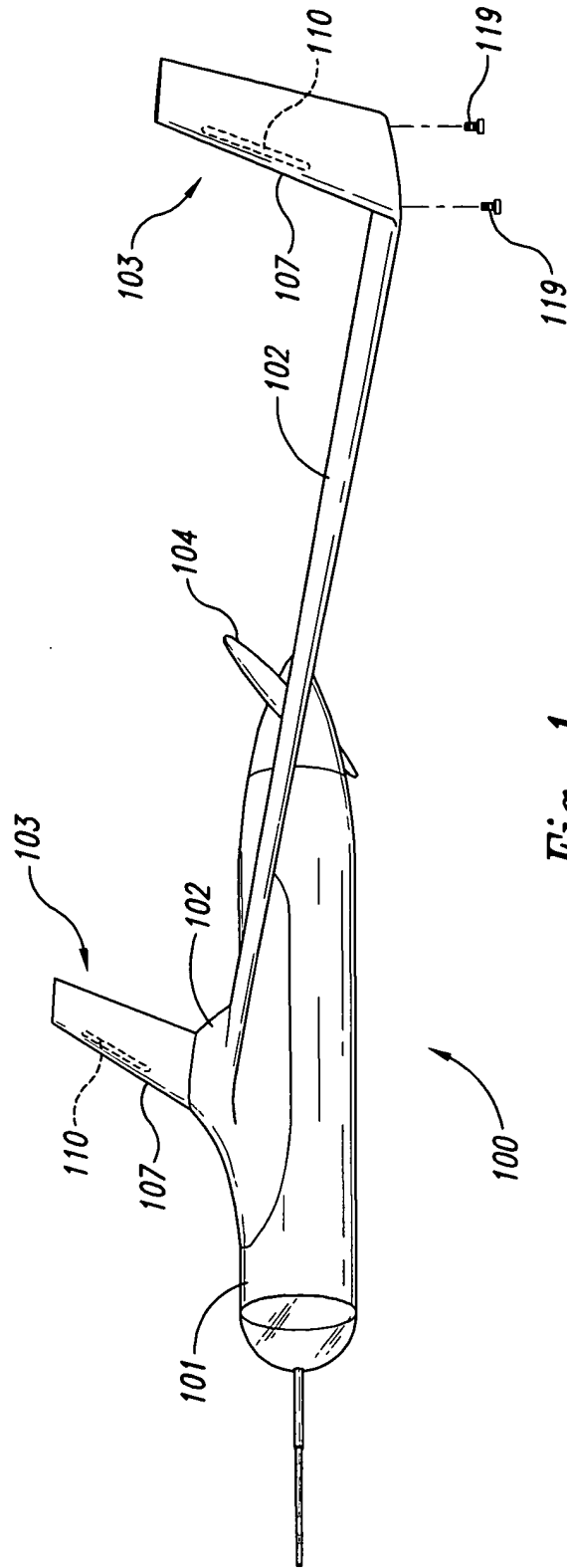


Fig. 1

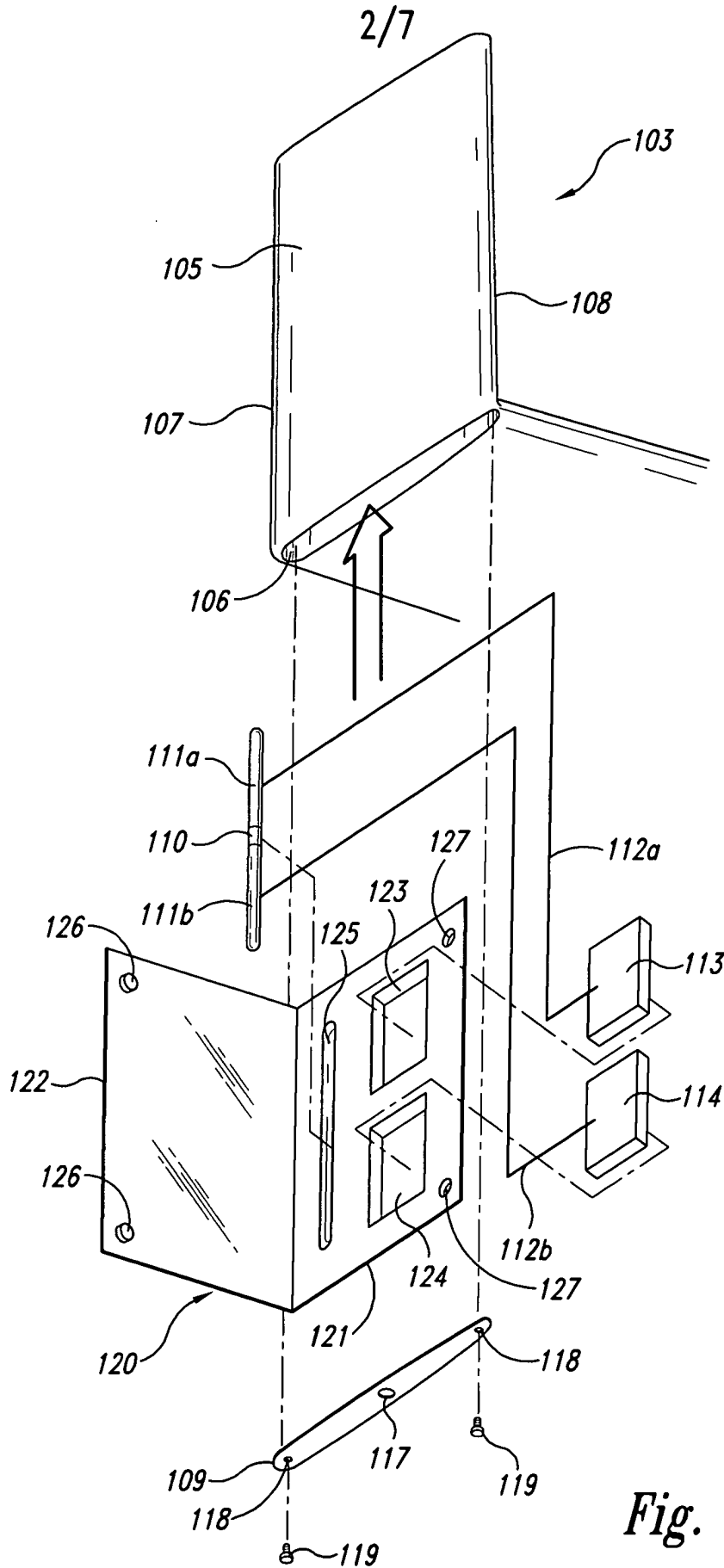


Fig. 2

3/7

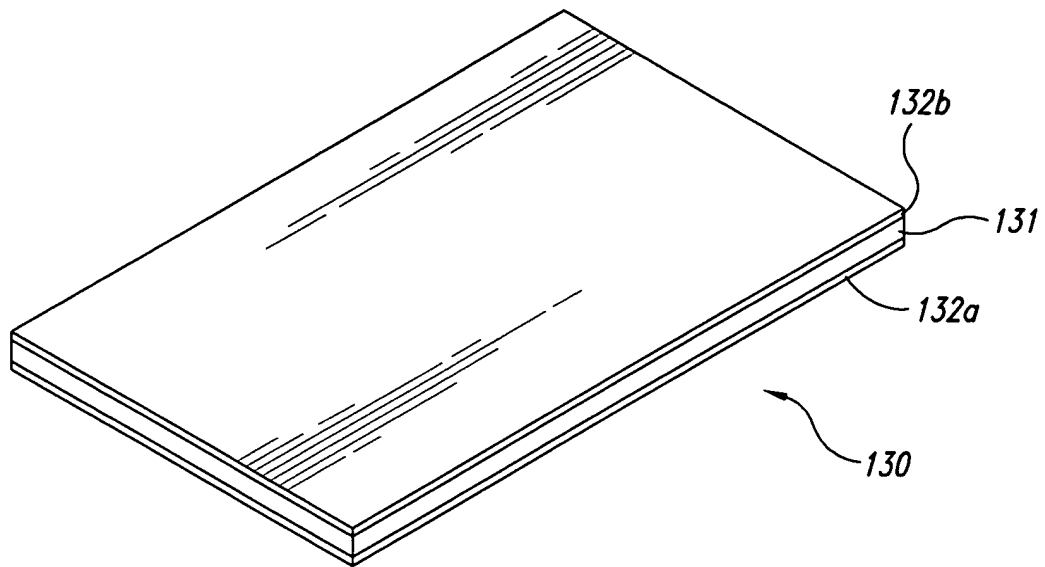


Fig. 3

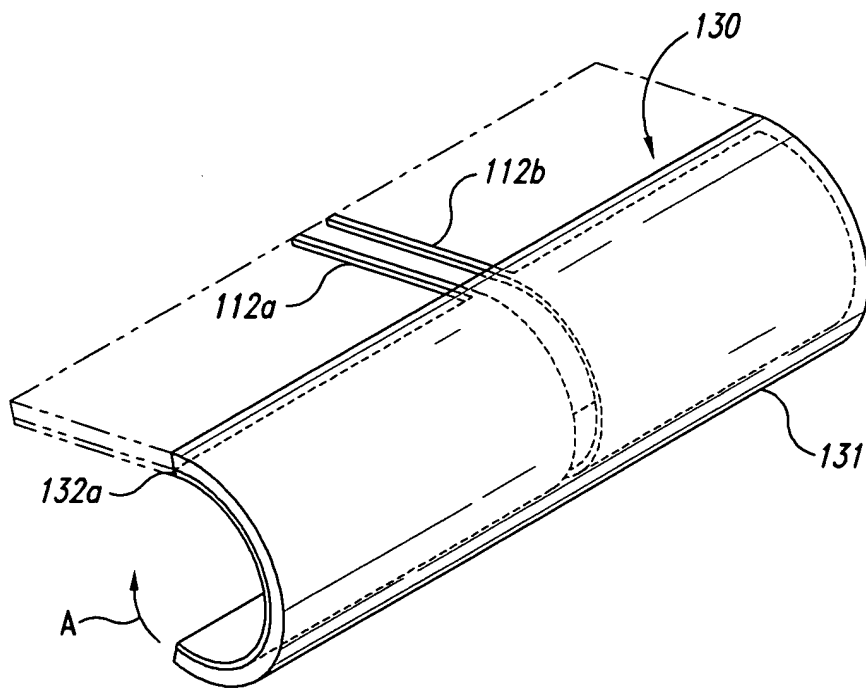


Fig. 4

4/7

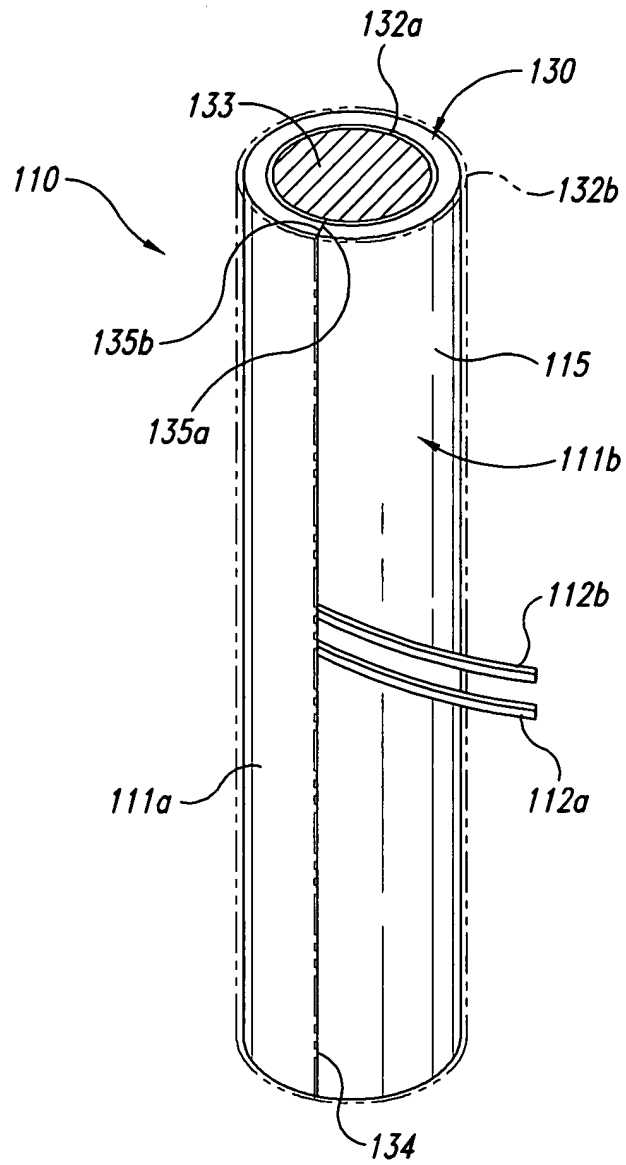
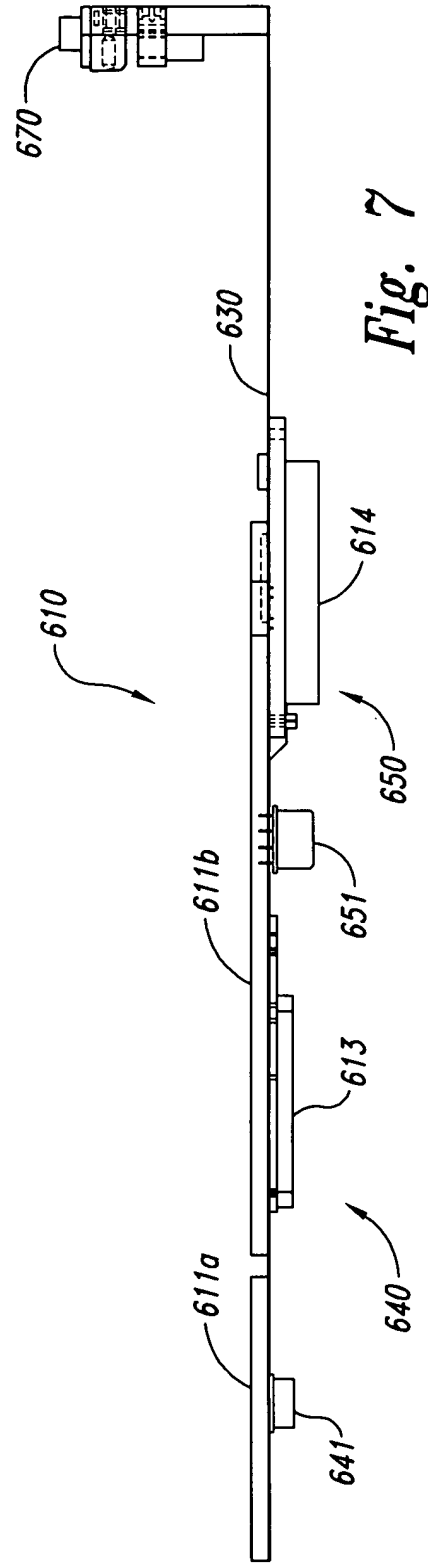
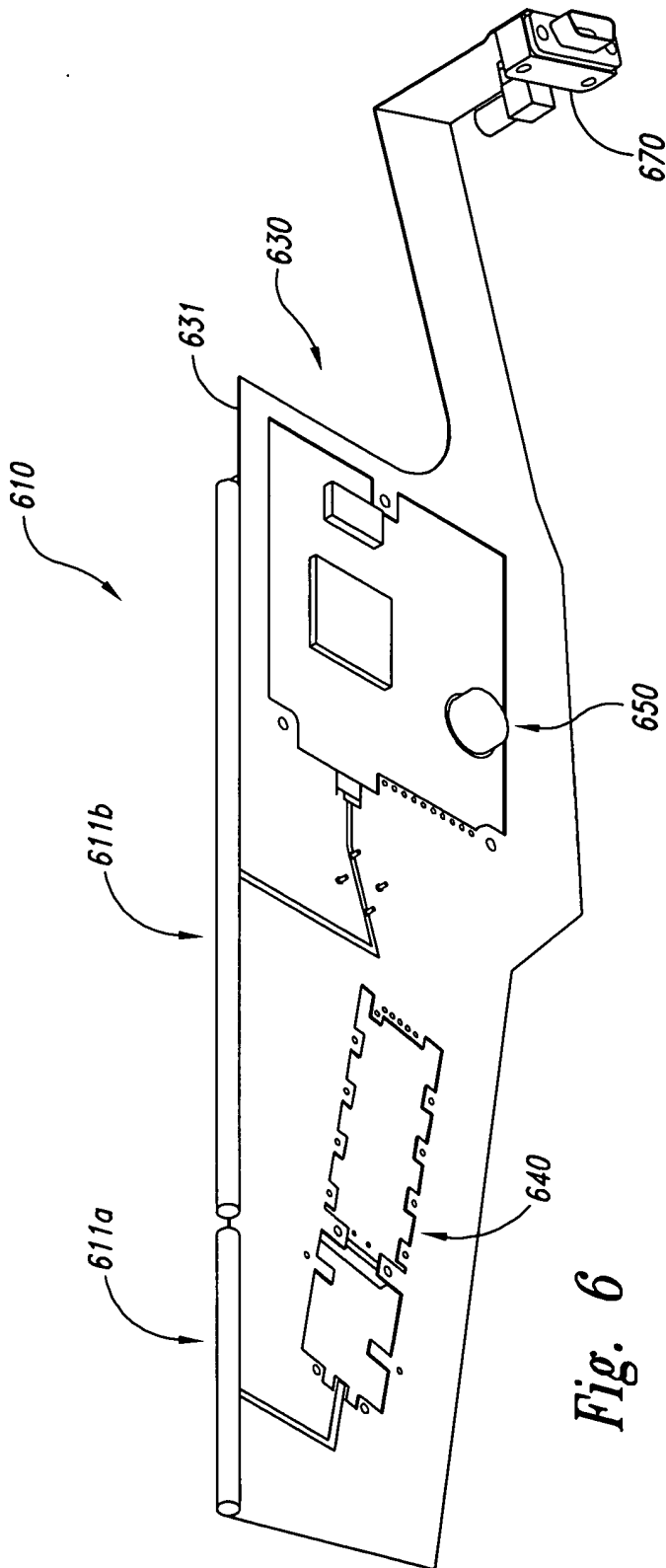


Fig. 5

5/7



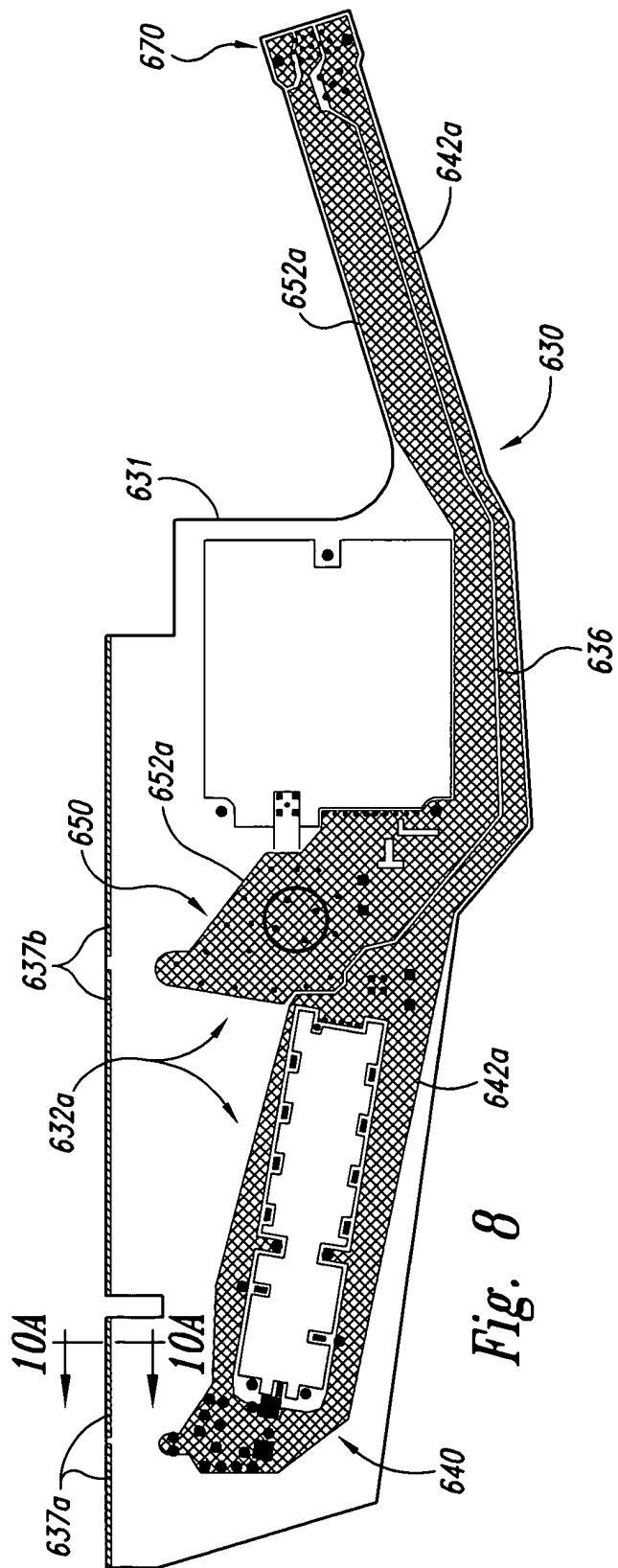


Fig. 8

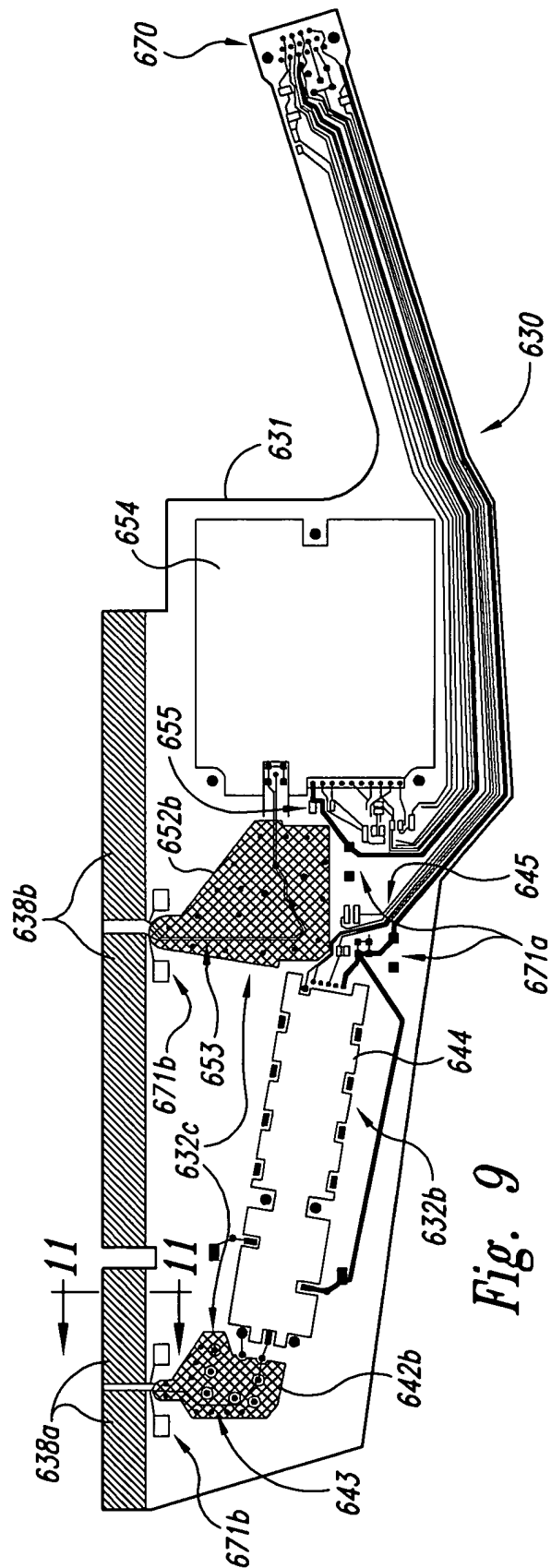


Fig. 9

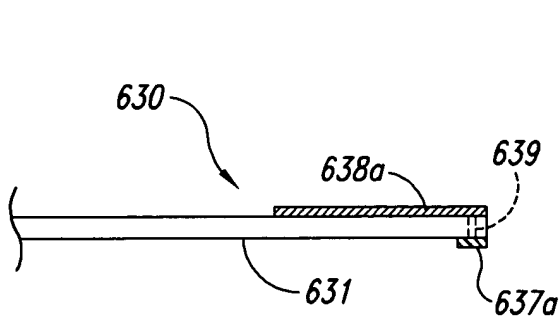


Fig. 10A

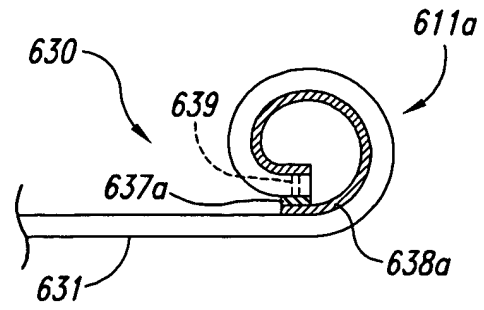
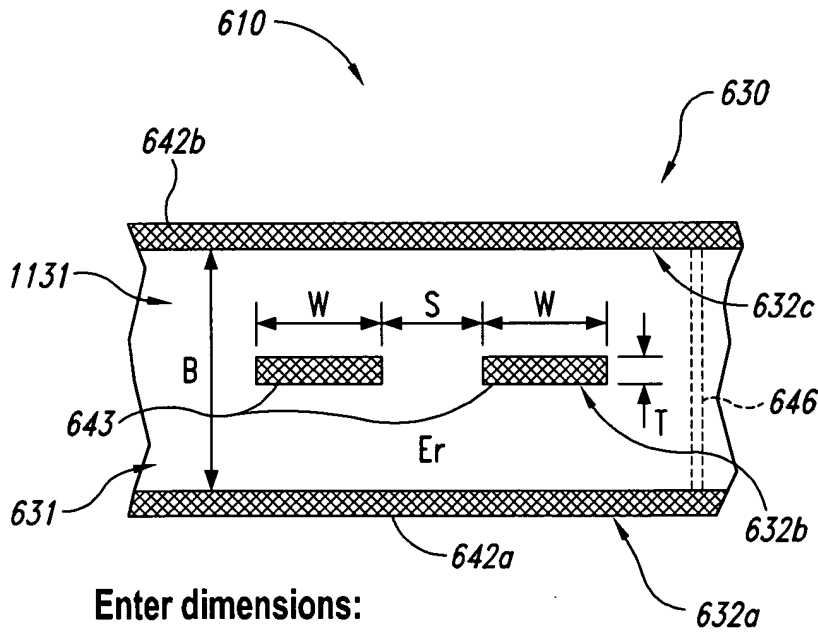


Fig. 10B



Enter dimensions:

- Trace width (W) mils
- Trace thickness (T) mils
- Trace spacing (S) mils
- Distance between planes (B) mils
- Relative Dielectric constant (Er)

Compute Z

Differential Trace Impedance ohms

Fig. 11